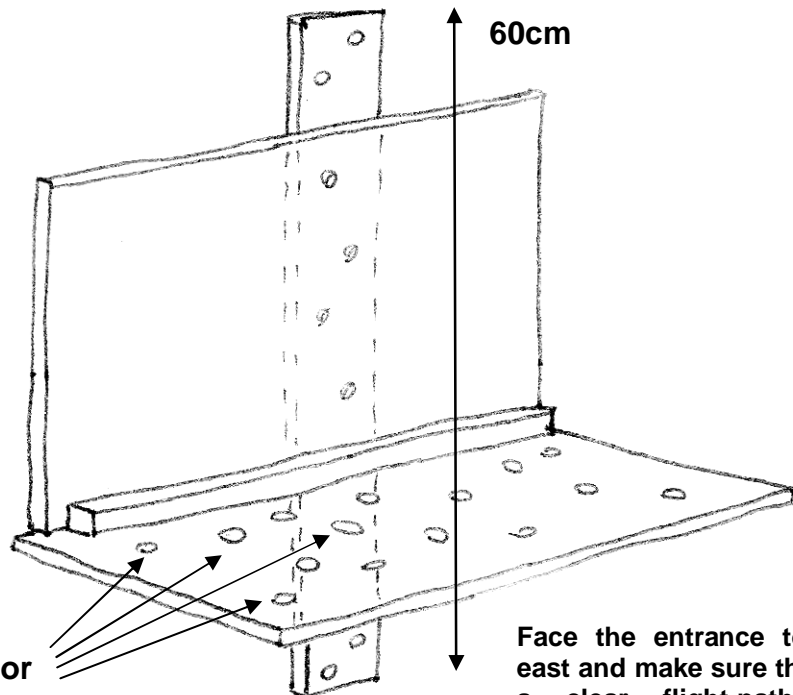


Build a Kestrel Box

Kestrels do not build their own nest, but re-use old crows nests, tree cavities or ledges on building or cliffs.

Build from exterior plywood or 20mm timber.

Place this type of box about 6 meters high in a lone tree, nailed to the trunk or a large branch or wedged in a fork & tilted to the back a little to keep the eggs and young chicks away from the front.



15 x 6mm drain holes in floor

Face the entrance toward the east and make sure that there is a clear flight-path to the entrance. A grassy habitat should be near the box so kestrels can use it for hunting.

Place 2-3" of wood shavings or straw on the bottom of the box. Clean out the kestrel box after each nesting season and replace the sawdust for next season's nesting pair.

